

MS-332-5



MS-332-5

Mains switching Reed Sensor
Flatpack

Electrical Characteristics @ 25 °C

Contact form		A
Contact rating max.	W / VA	10
Switching voltage max.	VDC	200
	VAC	260
Switching current max.	A	0.3
	A	1.4
Carry current max.	A	1.4
Breakdown voltage min.	VDC	400
Total resistance max. (initial)	mΩ	200
Insulation resistance min.	Ω	10 ¹⁰

Features

- Standard Flatpack, mains voltage
- Adjustable switching point
- Various sensitivity ranges available
- Customized types available

Magnetical Characteristics (of unmodified Reed Switch) @ 25 °C

Pull in range available	AT	15 - 30
Drop out min.	AT	4
Test coil	TC	200
Test equipment tolerance	± AT	2

Approvals



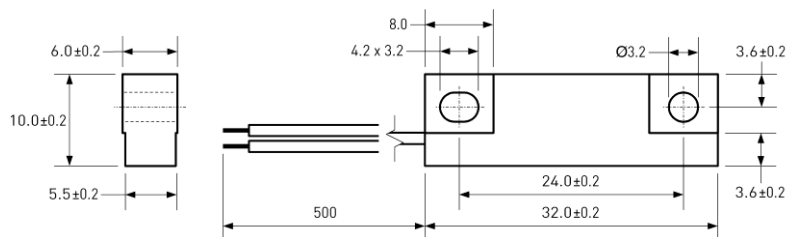
Operating Characteristics (of unmodified Reed Switch) @ 25 °C

Switching frequency max.	Hz	400
Resonant frequency typ.	Hz	4000
Operate time max. (incl. bounce)	ms	0.6
Release time max.	ms	0.2

Environmental Characteristics

Operating temperature	°C	-20 to +85
Vibration (50-2000 Hz)	g	30
Shock (1/2 sin 11 ms)	g	100

Dimensions in mm



Ordering Information

Packing Unit	50 pcs
Weight per piece	6 g
Weight per package	310 g
Standard AT Ranges	

- 2 = 15 to 20 AT
- 3 = 20 to 25 AT
- 4 = 25 to 30 AT

Ordering Example

MS-332-5-2 describes MS-332-5 with 15 to 20 AT.

MS-332-5



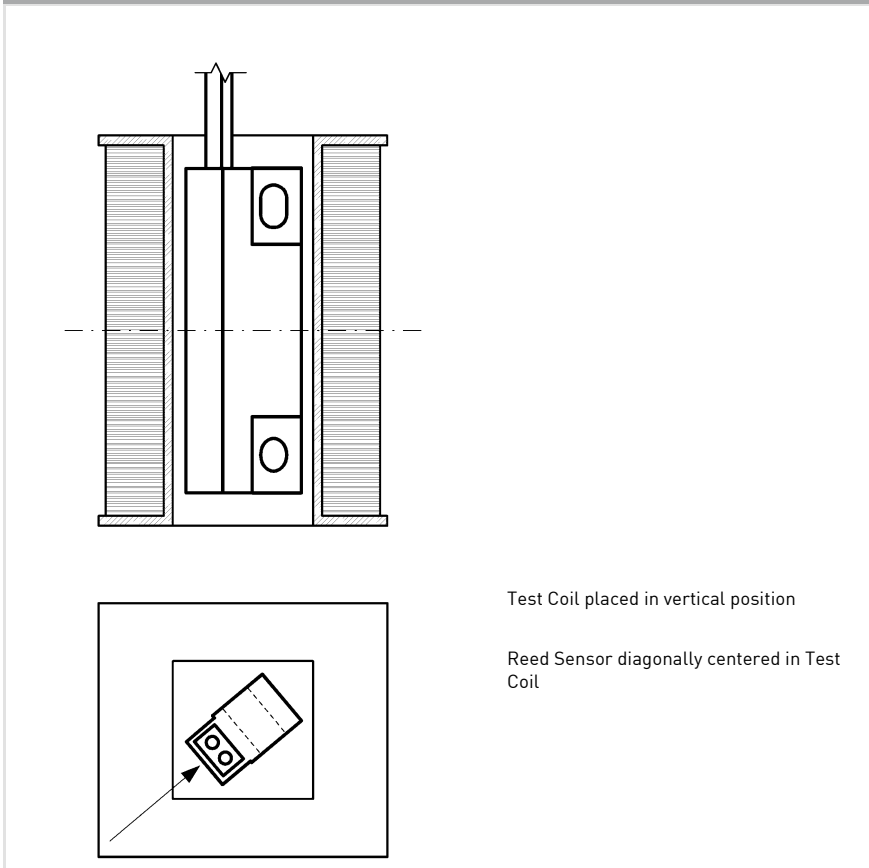
MS-332-5

Mains switching Reed Sensor
Flatpack

Material Information

	Material	Colour
Housing	ABS	black
Cable	UL 1007/1569, AWG 24, 4 mm stripped and tinned	black
Potting compound	Epoxy	black

Test Procedure of final Reed Sensor



Test Parameters

Test coil	TC-324
Test programs	
AT range	Test program
2 =	MS-332-5-2
3 =	MS-332-5-3
4 =	MS-332-5-4

Remarks

When mounted onto ferromagnetic parts switching distance of MS-332-5 may reduce.
Electromagnetical influences and magnetic fields may change the switching behaviour of the sensor.

Only non-ferromagnetic screws to be used for mounting.

Matching actuator MSM-332 available as well.