

MS-332-6



MS-332-6

Power Reed Sensor Flatpack

Electrical Characteristics @ 25 °C

Contact form		A
Contact rating max.	W / VA	50
Switching voltage max.	VDC	200
	VAC	250
Switching current max.	A	1.5
	Carry current max.	A
Breakdown voltage min.	VDC	400
Total resistance max. (initial)	mΩ	200
Insulation resistance min.	Ω	10 ¹⁰

Features

- Sensor with Power Reed Switch
- Adjustable switching point
- Various sensitivity ranges available
- Customized types available

Magnetical Characteristics (of unmodified Reed Switch) @ 25 °C

Pull in range available	AT	25 - 40
Drop out min.	AT	5
Test coil	TC	020
Test equipment tolerance	± AT	2

Operating Characteristics (of unmodified Reed Switch) @ 25 °C

Switching frequency max.	Hz	300
Resonant frequency typ.	Hz	2600
Operate time max. (incl. bounce)	ms	1
Release time max.	ms	0.4

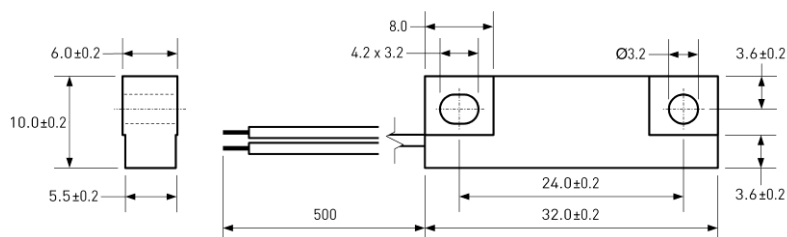
Environmental Characteristics

Operating temperature	°C	-20 to +85
Vibration (50-2000 Hz)	g	20
Shock (1/2 sin 11 ms)	g	50

Approvals



Dimensions in mm



Ordering Information

Packing Unit	50 pcs
Weight per piece	5.8 g
Weight per package	300 g
Standard AT Ranges	
	4 = 25 to 30 AT
	5 = 30 to 35 AT
	6 = 35 to 40 AT

Ordering Example

MS-332-6-4 describes MS-332-6 with 25 to 30 AT.

MS-332-6



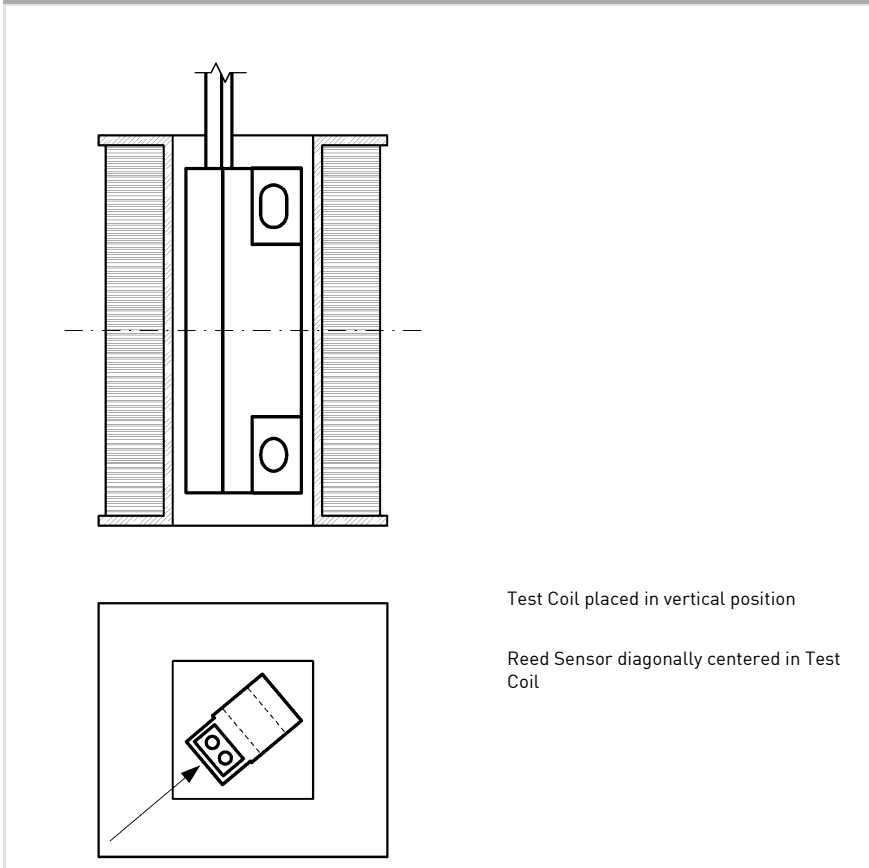
MS-332-6

Power Reed Sensor Flatpack

Material Information

	Material	Colour
Housing	ABS	black
Cable	UL 1007/1569, AWG 24, 4 mm stripped and tinned	black
Potting compound	Epoxy	black

Test Procedure of final Reed Sensor



Test Parameters

Test coil	TC-324
Test programs	
AT range	Test program
4 =	MS-332-6-4
5 =	MS-332-6-5
6 =	MS-332-6-6

Remarks

When mounted onto ferromagnetic parts switching distance of MS-332-6 may reduce.
Electromagnetical influences and magnetic fields may change the switching behaviour of the sensor.

Only non-ferromagnetic screws to be used for mounting.

Matching actuator MSM-332 available as well.