

PLS-041A-3PAI

PLS-041A-3PAI

Standard Level Sensor



Electrical Characteristics @ 25 °C

Contact form		A
Contact rating max.	W / VA	10
Switching voltage max.	VDC	200
	VAC	140
Switching current max.	A	1
Carry current max.	A	1.2
Breakdown voltage min.	VDC	240
Total resistance max.	mΩ	280

Environmental Characteristics

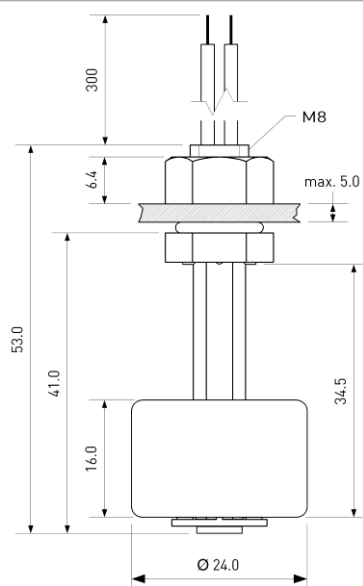
Operating temperature	°C	-20 to +80
Storage temperature	°C	-30 to +80

Mechanical Characteristics

Density of float typ.*	g / cm ³	0.76
Recommended minimum gravity of medium	g / cm ³	Density of float + 20%

* in delivery condition

Dimensions in mm



Features

- Polyamide housing
- M8 thread
- typ. Load resistive
- Customized types available

Approvals



Ordering Information

Packing Unit	10	pcs
Weight per piece	12	g
Weight per package	128	g

PLS-041A-3PAI

PLS-041A-3PAI

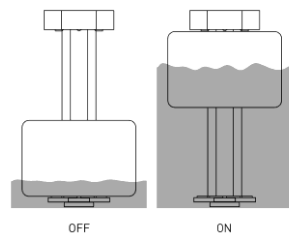
Standard Level Sensor



Material Information

	Material	Colour
Housing	PA-GF	black
Cable	UL 1007, AWG 24, 4 mm stripped and tinned	black
Nuts	PA6, M8, 1 pc preassembled	black
Float	PA6 foam	black
Potting	PU / Epoxy	black
Sealing ring	FPM	black

Operation View



Remarks

When mounted near ferromagnetic parts switching distance of PLS-041A-3PAI may vary.

Electromagnetical influences and magnetic fields may change the switching behaviour of the Level Sensor.

Mounting

When mounted stem up, operating functions are reversed.